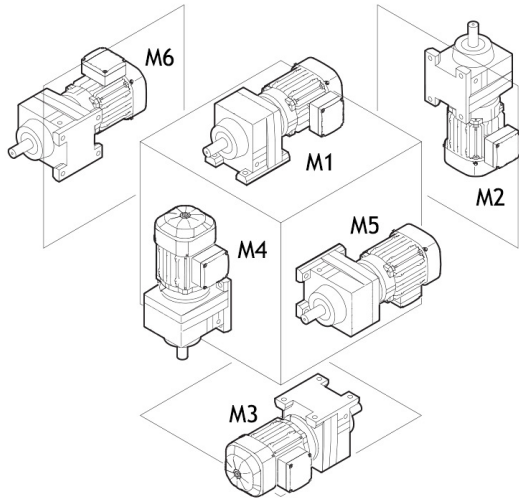
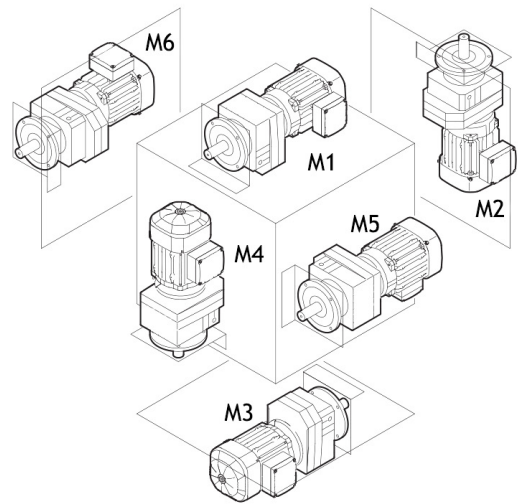


MOUNTING POSITIONS

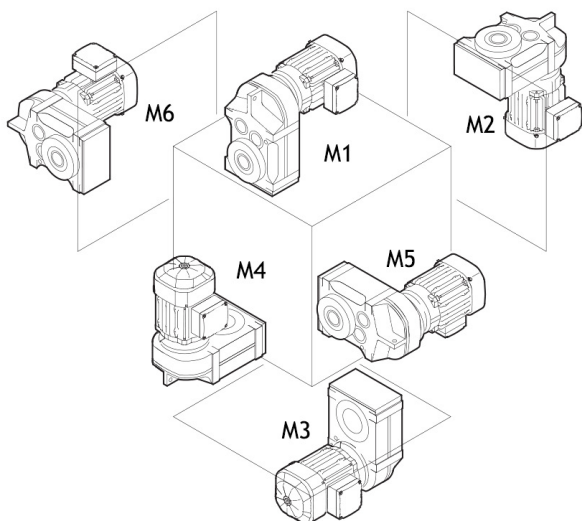
The following figure shows the position of the gear unit in mounting positions M1 to M6:



B-R..



B-F..



B-K..

