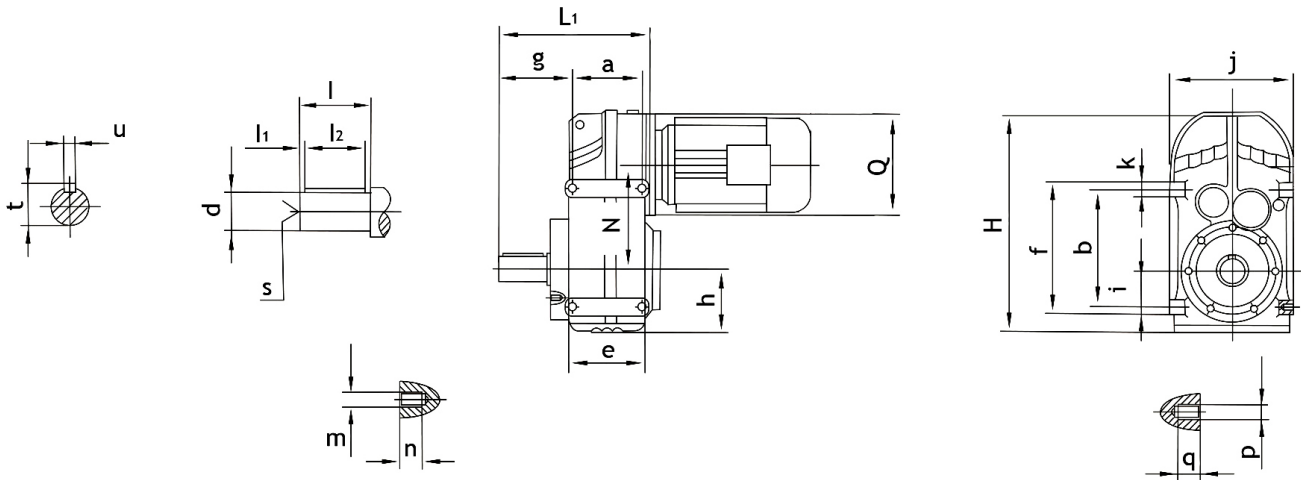
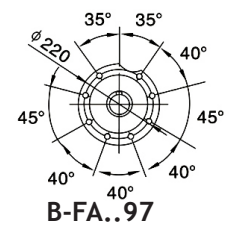
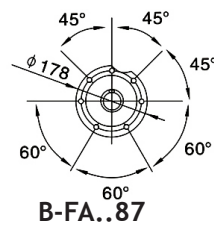
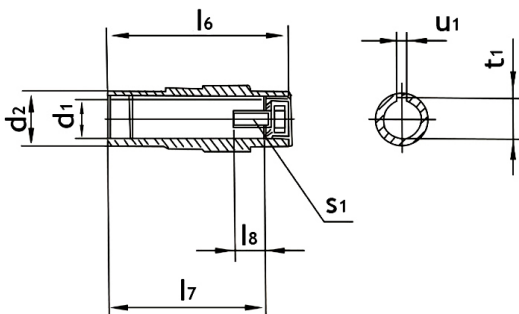
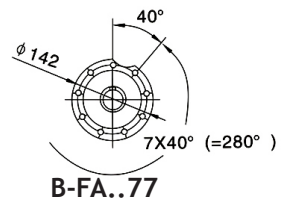
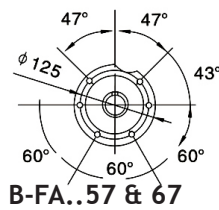
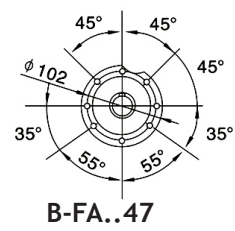
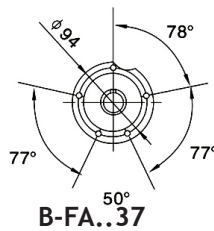
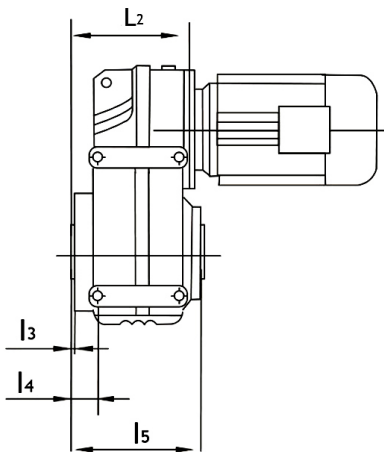


## MOUNTING DIMENSIONS

B-F..37~157



B-FA..37B~157B



# PARALLEL SHAFT HELICAL GEARBOXES

Model	a b	e f	g	h	i	k	m n	p q	Shaft dimension				
									d	l	$l_1$ $l_2$	s	t u
B-F..37 B-FA..37B	77 115	95 135	72.5	76	31	20	M8 11	M8 11	25k6	50	5 40	M10	28 8
B-F..47 B-FA..47B	93 145	109 165	91	77	43	20	M8 11	M10 15	30k6	60	3.5 50	M12	33 8
B-F..57 B-FA..57B	102 170	126 195	104.5	93	55	25	M12 17	M12 17	35k6	70	7 56	M12	38 10
B-F..67 B-FA..67B	112 190	131 215	118.5	97	60	25	M12 17	M12 17	40k6	80	5 70	M16	43 12
B-F..77 B-FA..77B	140 240	165 275	137.5	121	70	35	M12 17	M16 26	50k6	100	10 80	M16	53.5 14
B-F..87 B-FA..87B	165 310	195 350	163	152	100	40	M16 26	M16 26	60m6	120	5 110	M20	64 18
B-F..97 B-FA..97B	205 350	240 400	190.5	178	120	50	M16 26	M20 28	70m6	140	7.5 125	M20	74.5 20
B-F..107 B-FA..107B	220 400	260 460	241.5	200	125	60	/ /	M24 36	90m6	170	5 160	M24	95 25
B-F..127 B-FA..127B	270 450	316 520	291	236	142	70	/ /	M30 45	110m6	210	15 180	M24	116 28
B-F..157 B-FA..157B	310 540	364 620	325	286	170	80	/ /	M36 55	120m6	210	5 200	M24	127 32

Model	Hollow shaft dimension								H j	L <sub>1</sub>	L <sub>2</sub>	N	Q
	d <sub>1</sub>	d <sub>2</sub>	$l_3$ $l_4$	l <sub>5</sub>	$l_6$ $l_7$	l <sub>8</sub>	s <sub>1</sub>	t <sub>1</sub> u <sub>1</sub>					
B-F..37 B-FA..37B	30H7	45	2.5 22.5	123	120 105	17	M10X25	33.3 8	252 165	160	110	112	120
B-F..47 B-FA..47B	35H7	50	3 31	153	150 132	22	M10X25	38.3 10	269 180	193	133	128.1	120
B-F..57 B-FA..57B	40H7	55	3 33.5	170	166 142	29	M16X40	43.3 12	317 200	221	150	136	160
B-F..67 B-FA..67B	40H7	55	3.5 37	184	180 156	29	M16X40	43.3 12	343 212	242	161	159.5	160
B-F..77 B-FA..77B	50H7	70	4 36.5	213	210 183	32	M16X45	53.8 14	426 270	294	193	200	200
B-F..87 B-FA..87B	60H7	85	4 43	243	240 210	36	M20X50	64.4 18	531 330	344	224	246.7	250
B-F..97 B-FA..97B	70H7	95	4 48.5	303	300 270	34	M20X50	74.9 20	623 400	416	274	285	300
B-F..107 B-FA..107B	90H7	118	2.5 69.5	353	350 313	40	M24X60	95.4 25	717 450	484	312	332.4	350
B-F..127 B-FA..127B	100H7	135	2.5 79.25	413	410 373	38	M24X60	106.4 28	856 530	585	373	382.6	450
B-F..157 B-FA..157B	120H7	155	7 118	503	500 460	36	M24X60	127.4 32	1021 660	662	455	447	550