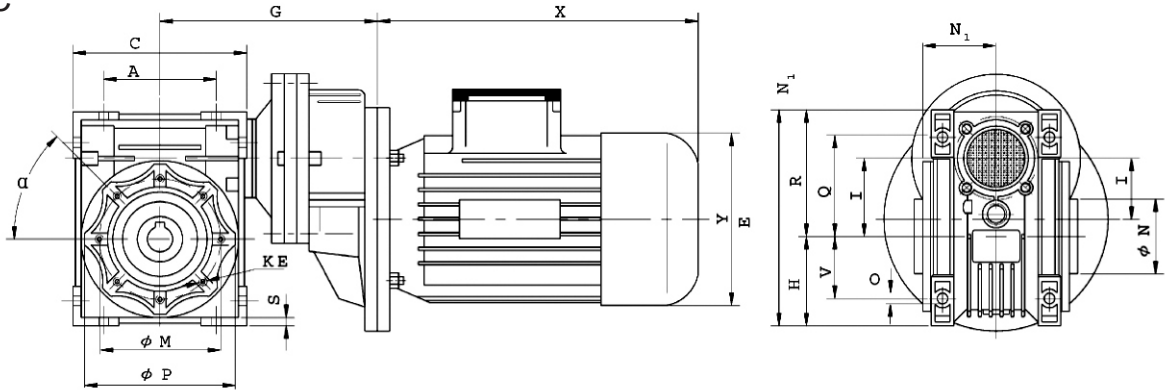


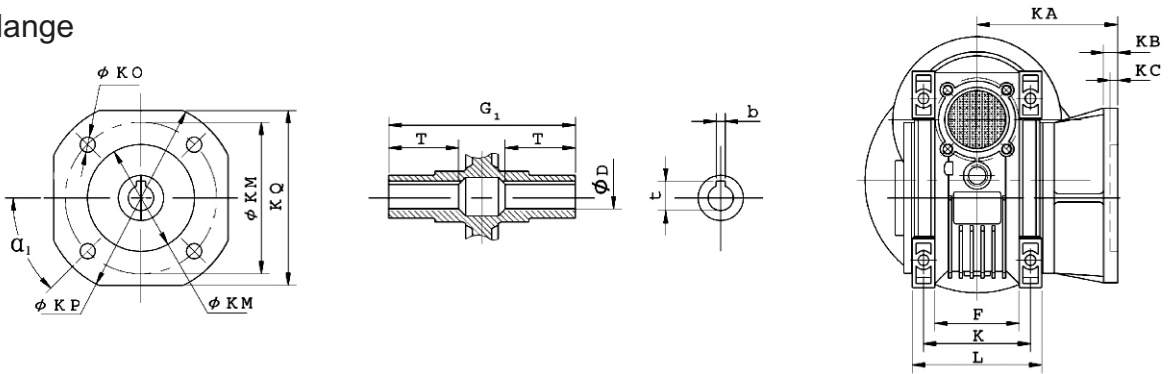


## BLM-BC ( HELI-WORM ) SERIES INSTALLATION DIMENSIONS

### BLM-BC



### Output Flange



| Size       | A   | C     | D(H7)  | E     | F  | G   | G <sub>1</sub> | H     | I <sub>1</sub> | I  | I   | M   | N(h8) | N <sub>1</sub> | O   | P   | Q   | R     | S   | T  | V   | K   | KA  |      |     | KB |    |    | KC   | KE             | α   | α <sub>1</sub> |
|------------|-----|-------|--------|-------|----|-----|----------------|-------|----------------|----|-----|-----|-------|----------------|-----|-----|-----|-------|-----|----|-----|-----|-----|------|-----|----|----|----|------|----------------|-----|----------------|
|            |     |       |        |       |    |     |                |       |                |    |     |     |       |                |     |     |     |       |     |    |     |     | F   | FB   | FL  | F  | FB | FL |      |                |     |                |
| 40/63      | 70  | 100   | 18(19) | 121.5 | 43 | 123 | 123            | 50    | 40             | 40 | 71  | 75  | 60    | 36.5           | 6.5 | 87  | 55  | 71.5  | 6.5 | 25 | 35  | 60  | 67  | 76.5 | 97  | 7  | 9  | 7  | 4(5) | M6 x 8 (n.4)   | 45° | 45°            |
| 50/63      | 80  | 120   | 25(24) | 144   | 49 | 133 | 133            | 60    | 50             | 40 | 85  | 85  | 70    | 43.5           | 8.5 | 100 | 64  | 84    | 7   | 30 | 40  | 70  | 90  | 87.5 | 120 | 9  | 10 | 9  | 5(5) | M8 x 10 (n.4)  | 45° | 45°            |
| 50/71      | 80  | 120   | 25(24) | 144   | 49 | 143 | 143            | 60    | 50             | 50 | 85  | 85  | 70    | 43.5           | 8.5 | 100 | 64  | 84    | 7   | 30 | 40  | 70  | 90  | 87.5 | 120 | 9  | 10 | 9  | 5(5) | M8 x 10 (n.4)  | 45° | 45°            |
| 63/63      | 100 | 144   | 25(28) | 174   | 67 | 148 | 148            | 72    | 63             | 40 | 103 | 95  | 80    | 53             | 8.5 | 110 | 80  | 102   | 8   | 36 | 50  | 85  | 82  | 99   | 112 | 10 | 11 | 10 | 6(5) | M8 x 14 (n.8)  | 45° | 45°            |
| 63/71      | 100 | 144   | 25(28) | 174   | 67 | 158 | 158            | 72    | 63             | 50 | 103 | 95  | 80    | 53             | 8.5 | 110 | 80  | 102   | 8   | 40 | 50  | 85  | 82  | 99   | 112 | 10 | 11 | 10 | 6(5) | M8 x 14 (n.8)  | 45° | 45°            |
| 75/71      | 120 | 172   | 28(35) | 205   | 72 | 176 | 176            | 86    | 75             | 50 | 112 | 115 | 95    | 57             | 11  | 140 | 93  | 119   | 10  | 40 | 60  | 90  | 111 | -    | -   | 13 | -  | -  | 6    | M8 x 14 (n.8)  | 45° | 45°            |
| 75/80      | 120 | 172   | 28(35) | 205   | 72 | 186 | 186            | 86    | 75             | 63 | 112 | 115 | 95    | 57             | 11  | 140 | 93  | 119   | 10  | 40 | 60  | 90  | 111 | -    | -   | 13 | -  | -  | 6    | M8 x 14 (n.8)  | 45° | 45°            |
| 90/71      | 140 | 208   | 35(38) | 238   | 74 | 193 | 193            | 103   | 90             | 50 | 130 | 130 | 110   | 67             | 13  | 160 | 102 | 135   | 11  | 45 | 70  | 100 | 111 | -    | -   | 13 | -  | -  | 6    | M10 x 18 (n.8) | 45° | 45°            |
| 90/80      | 140 | 208   | 35(38) | 238   | 74 | 203 | 203            | 103   | 90             | 63 | 130 | 130 | 110   | 67             | 13  | 160 | 102 | 135   | 11  | 45 | 70  | 100 | 111 | -    | -   | 13 | -  | -  | 6    | M10 x 18 (n.8) | 45° | 45°            |
| 110/80(90) | 170 | 252.5 | 42     | 295   | -  | 233 | 233            | 127.5 | 110            | 63 | 144 | 165 | 130   | 74             | 14  | 200 | 125 | 167.5 | 14  | 50 | 85  | 115 | 131 | -    | -   | 15 | -  | -  | 6    | M10 x 18 (n.8) | 45° | 45°            |
| 130/80(90) | 200 | 292.5 | 45     | 335   | -  | 253 | 253            | 147.5 | 130            | 63 | 155 | 215 | 180   | 81             | 16  | 250 | 140 | 187.5 | 15  | 60 | 100 | 120 | 140 | -    | -   | 15 | -  | -  | 6    | M12 x 21 (n.8) | 45° | 45°            |

| Size       | KM  |     |     | KN (H8) |     |     | KO      |          |         | KP  |     |     | KQ  |    |     | b      | t           | Kg   |
|------------|-----|-----|-----|---------|-----|-----|---------|----------|---------|-----|-----|-----|-----|----|-----|--------|-------------|------|
|            | A   | FB  | FL  | F       | FB  | FL  | F       | FB       | FL      | F   | FB  | FL  | F   | FB | FL  |        |             |      |
| 40/63      | 87  | 115 | 87  | 60      | 95  | 60  | 9(n,4)  | 9.5(n,4) | 9(n,4)  | 110 | 140 | 110 | 95  | -  | 95  | 6(6)   | 20.8 (21.8) | 3.9  |
| 50/63      | 90  | 130 | 90  | 70      | 110 | 70  | 11(n,4) | 9.5(n,4) | 11(n,4) | 125 | 160 | 125 | 110 | -  | 110 | 8(8)   | 28.3 (27.3) | 5.2  |
| 50/71      | 90  | 130 | 90  | 70      | 110 | 70  | 11(n,4) | 9.5(n,4) | 11(n,4) | 125 | 160 | 125 | 110 | -  | 110 | 8(8)   | 28.3 (27.3) | 5.8  |
| 63/63      | 150 | 165 | 150 | 115     | 130 | 115 | 11(n,4) | 11(n,4)  | 11(n,4) | 180 | 200 | 180 | 142 | -  | 142 | 8(8)   | 28.3 (31.3) | 7.9  |
| 63/71      | 150 | 165 | 150 | 115     | 130 | 115 | 11(n,4) | 11(n,4)  | 11(n,4) | 180 | 200 | 180 | 142 | -  | 142 | 8(8)   | 28.3 (31.3) | 8.5  |
| 75/71      | 165 | -   | -   | 130     | -   | -   | 14(n,4) | -        | -       | 200 | -   | -   | 170 | -  | -   | 8(10)  | 31.3 (38.3) | 11.3 |
| 75/80      | 165 | -   | -   | 130     | -   | -   | 14(n,4) | -        | -       | 200 | -   | -   | 170 | -  | -   | 8(10)  | 31.3 (38.3) | 13.1 |
| 90/71      | 175 | -   | -   | 152     | -   | -   | 14(n,4) | -        | -       | 210 | -   | -   | 200 | -  | -   | 10(10) | 38.3 (41.3) | 15.3 |
| 90/80      | 175 | -   | -   | 152     | -   | -   | 14(n,4) | -        | -       | 210 | -   | -   | 200 | -  | -   | 10(10) | 38.3 (41.3) | 17.2 |
| 110/80(90) | 230 | -   | -   | 170     | -   | -   | 14(n,8) | -        | -       | 280 | -   | -   | 260 | -  | -   | 12     | 45.3        | 39   |
| 130/80(90) | 235 | -   | -   | 180     | -   | -   | 16(n,8) | -        | -       | 320 | -   | -   | 290 | -  | -   | 14     | 48.8        | 52.2 |